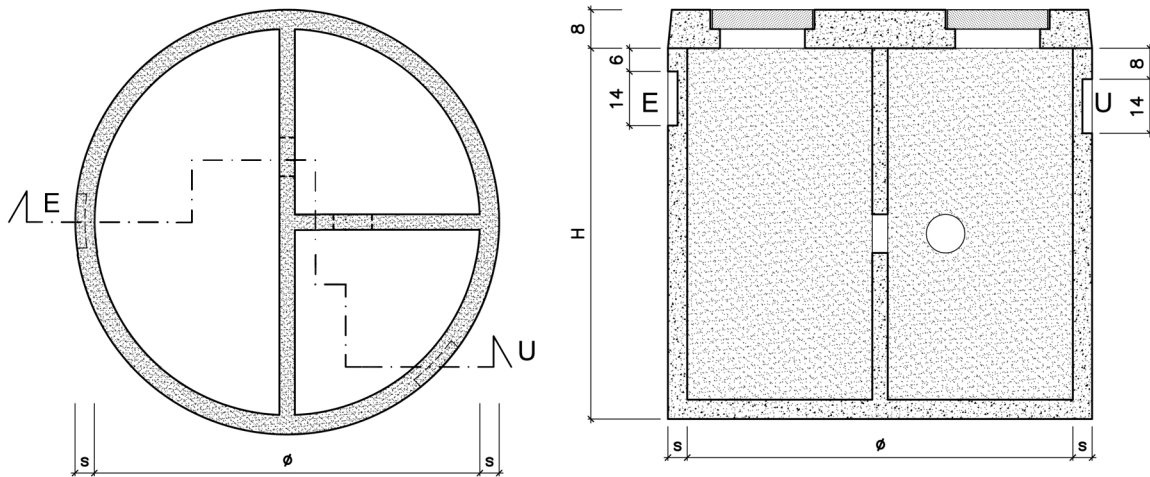
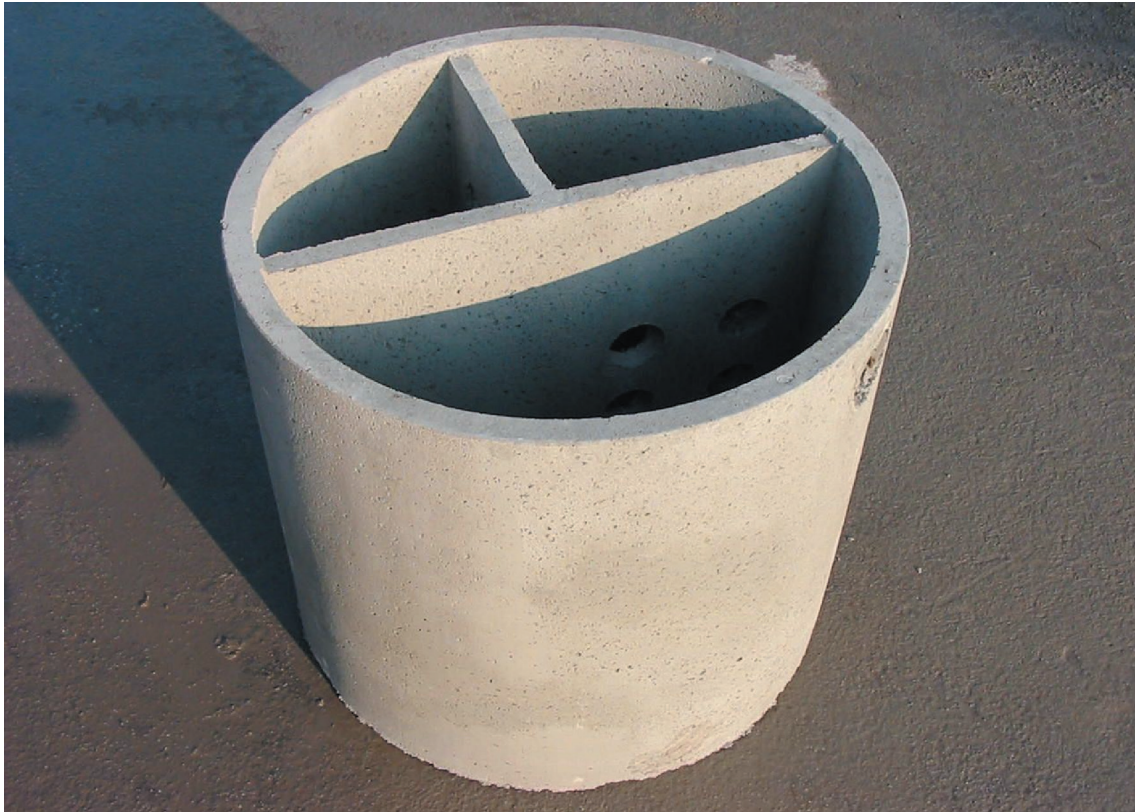


Grease Condensation Tank

Ø cm 100x100 h Monolithic



SPECIFICATIONS:

Reinforced and vibrated concrete round plan grease condensation tank, int. dimensions cm 100 x cm 100 h, thickness cm 6, homologated for 8 persons, made up of three hydraulically communicating chambers, with internal "T" shaped party walls and vibrated reinforced concrete cover with inspection holes.

Minimum compressive strength class C40/50
Chemical exposure class XA3 (UNI 11104)

Ø cm	H cm	s cm	minimum capacity litres	suitable no. persons	weight kg
100	100	6	550	8	900

Sizes are approximate and subject to manufacturing process variations. The details contained in this catalogue are not binding for the builder, which reserves the right to change them for whatsoever reason.