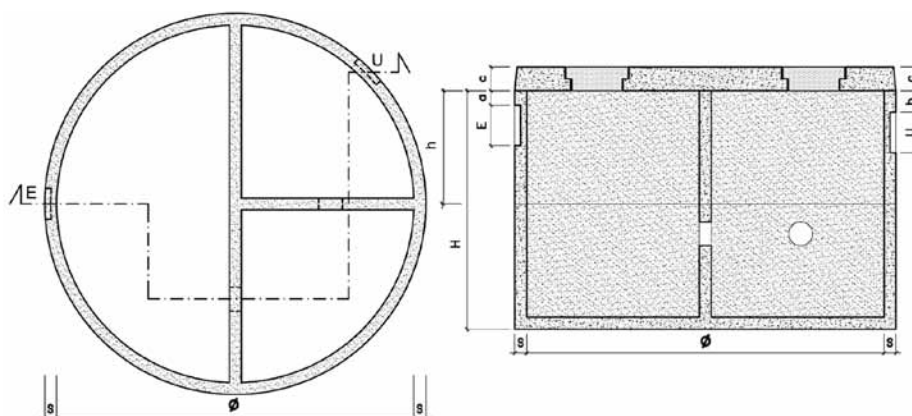


Grease Condensation Tanks Round Modular - Various Diameters



SPECIFICATIONS:

reinforced and vibrated concrete modular round plan grease condensation tank, int. dimensions cm...x cm...h, thickness cm..., homologated for... persons, made up of three hydraulically communicating chambers, with internal "T" shaped party walls and vibrated reinforced concrete cover with inspection holes.

**Minimum compressive strength class C40/50
Chemical exposure class XA3 (UNI 11104)**

Ø cm	H/h cm	a cm	b cm	E cm	U cm	c cm	s cm	minimum capacity litres	suitable no. persons	weight kg
80	100	3	5	11	11	7	5	397	5	650
100	100	8	10	12	12	7	6	557	8	800
200 Bell and spigot joint	100	8	12	16	16	15	8	1821	36	3000
234	100	9	14	20	20	17	8,5	2235	45	4765

Extension pipes to enhance capacity

80	50	-	-	-	-	-	5	251	2	300
100	50	-	-	-	-	-	6	393	6	350
200 Bell and spigot joint	50	-	-	-	-	-	8	1539	31	900
234	50	-	-	-	-	-	8,5	2063	41	1100

* See picture.

Sizes are approximate and subject to manufacturing process variations. The details contained in this catalogue are not binding for the builder, which reserves the right to modify them for whatsoever reason.